

Design **Fabio Reggiani**

**Ttile** is an extremely compact, fixed recessed, LED LUCE luminaire designed to be installed in furniture, shelves, niches or simply in false ceilings with both mobile and fixed panels. The excellent quality and efficiency of LED LUCE LL1, the flexibility of the lighting design brought about by the interchangeable optics and the dimming simplicity of the light beam make this luminaire the perfect product to mount on panels or false ceilings with a small plenum space.



Design **Fabio Reggiani**



**TTILE OUT**

**TILE IN**

**Fixed recessed luminaire for false ceiling panels**

**Body**

Die-cast aluminium with metal trims for the chrome or lacquered versions; with solid diamond polished brass trims for finish 03.

**LED LUCE system**

Three beam widths: narrow, medium and wide. 50 mm Ø IOS reflector made from metallised polycarbonate with scratch resistant protective coating (including light collimator for narrow and medium beams). Clear anti-static polycarbonate safety shield.

**Interchangeable optics**

TTile in can change the width of the light beam (narrow, medium, wide) using the LL1 interchangeable optics with twist lock fixing system; easy to replace with a simple twist. The LL1 optics can also be bought separately.

**Control gear technologies**

Constant current driver provided with multi-core cable complete with a quick-fit plug to connect to the socket on the luminaire. Luminous flux adjusted with standard dimmer. Example: Triac leading edge phase cut dimmer for incandescent lamps or electronic trailing edge phase cut dimmer for low voltage lamps.

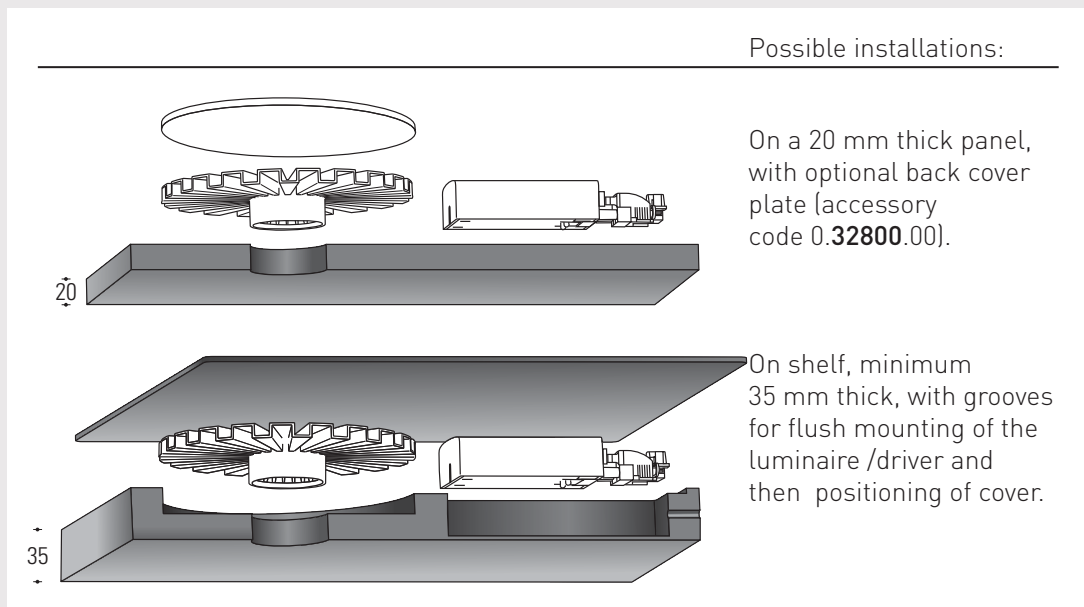
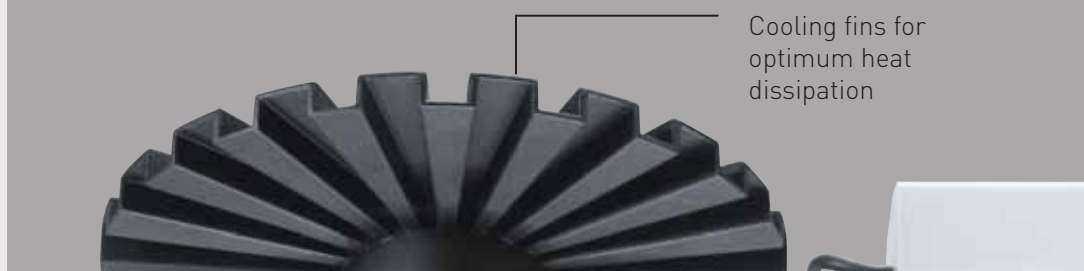
**Installation**

From the rear of the panel by inserting the cylindrical protrusion in the panel cut-out. Depending on requirements, the luminaire can be used in the trimless version or it can be completed with the round or square trim included in every pack.

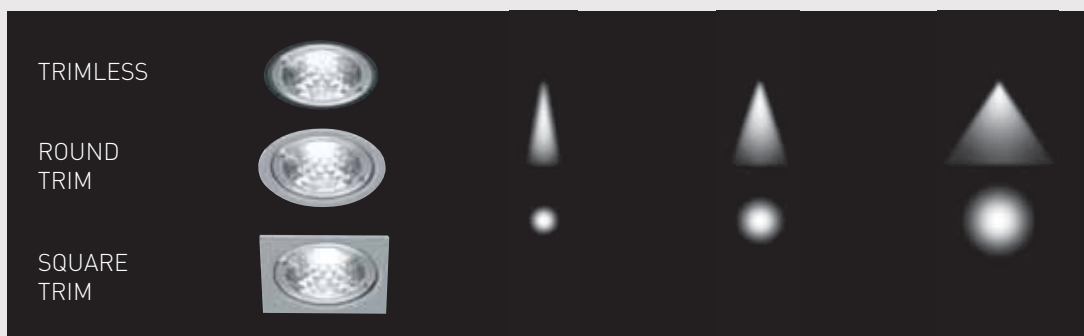
**Standard finishes of trim**

- 01 chrome
- 03 brass
- 10 white
- 21 black
- 28 metallised grey

**TILE IN**  
(installation from the rear of the panel)



LED LUCE is the new Reggiani lighting system with high-power LED technology (16 watts, 850 lm, CRI 90, 3000 K). LED LUCE has an excellent white colour, 50,000-hour lifetime, low consumption, immediate switch-on even at very low temperatures, and is environmentally friendly and maintenance-free, making it an excellent alternative to traditional light sources.



**Fixed recessed luminaire for false ceiling panels (furniture, shelves, false ceilings with mobile panels)**

**Body:** die-cast aluminium with metal trims for the chrome or lacquered versions; with solid diamond polished brass trims for finish 03.

**Optics:** 50 mm Ø IOS (Interchangeable Optical System) reflector (**LL1**) included.

**Installation:** from the rear of the panel by inserting the cylindrical protrusion in the panel cut-out. Depending on requirements, the luminaire can be used in the trimless version or it can be completed with the round or square trim included in every pack.

**Control gear technologies:** constant current driver provided with multi-core cable complete with a quick-fit plug to connect to the socket on the luminaire.

Luminous flux adjusted with standard dimmer. Example: Triac leading edge phase cut dimmer for incandescent lamps or electronic trailing edge phase cut dimmer for low voltage lamps.

**Glow wire:** = >850° - in compliance with standard IEC EN 60598-1:2008 Annex ZC (13.3).

**Standard finishes of trim:** **01** chrome **03** brass **10** white **21** black **28** metallised grey

www.reggiani.net/code



**Plug and Play:** fixed recessed luminaire with LED LUCE LL1 + driver

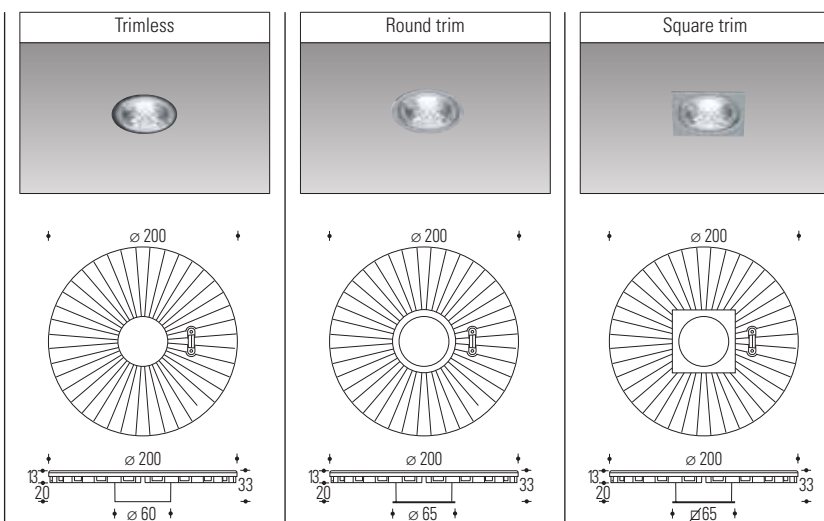
**Light source:** LED LUCE (16W, 850lm, 3000K, CRI 90)

**Total power consumption:** LED LUCE + driver = 18W

**Accessories:** • 0.35000.00 / 0.35001.00 / 0.35002.00 (IOS) Interchangeable optical system • 0.35070.00 Emergency pack  
• 0.35100.00 Extension lead • 0.32800.00 Back cover plate



**LL1 - Three beam widths:** narrow, medium and wide. 50 mm Ø IOS reflector made from metallised polycarbonate (with light collimator for narrow and medium beams). Clear polycarbonate safety shield.



driver  
130x60x35h mm



Kit	Control gear	Watt	(η)	Beam angle
0.32771.00	driver	1x16	0.78	2x11°
0.32772.00	driver	1x16	0.77	2x18°
0.32773.00	driver	1x16	0.80	2x25°

**ACCESSORIES**

Interchangeable optical system to be purchased in order to change the width of the light beam.

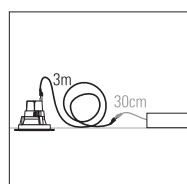


Price	Beam angle	Shield finish
0.35000.00	2x11°	00 Clear
0.35001.00	2x18°	00 Clear
0.35002.00	2x25°	00 Clear

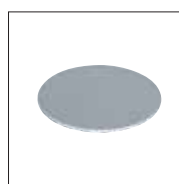


Emergency pack for LED LUCE luminaires including Ni/Cd battery with 1h back-up

Price	Finish
0.35070.00	00



Price	Finish
0.35100.00	00



Back cover plate

Price	Finish
0.32800.00	01 chrome
0.32800.00	10 white
0.32800.00	21 black
0.32800.00	28 metallised grey

**Fixed recessed luminaire**

**TTILE OUT**

**Fixed recessed luminaire (for furniture, shelves, false ceilings)**

**Body**

Die-cast aluminium; epoxy powder coated steel finish disc.

**LED LUCE system**

Three beam widths: narrow, medium and wide. 50 mm Ø IOS reflector made from metallised polycarbonate with scratch resistant protective coating (including light collimator for narrow and medium beams). Clear anti-static polycarbonate safety shield.

**Interchangeable optics**

TTile out can change the width of the light beam (narrow, medium, wide) using the LL1 interchangeable optics with twist lock fixing system; easy to replace with a simple twist. The LL1 optics can also be bought separately.

**Control gear technologies**

Constant current driver provided with multi-core cable complete with a quick-fit plug to connect to the socket on the luminaire. Luminous flux adjusted with standard dimmer. Example: Triac leading edge phase cut dimmer for incandescent lamps or electronic trailing edge phase cut dimmer for low voltage lamps.

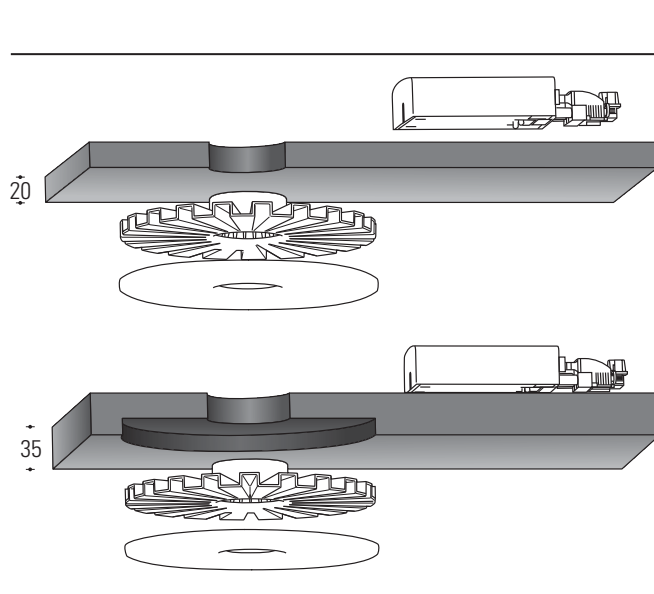
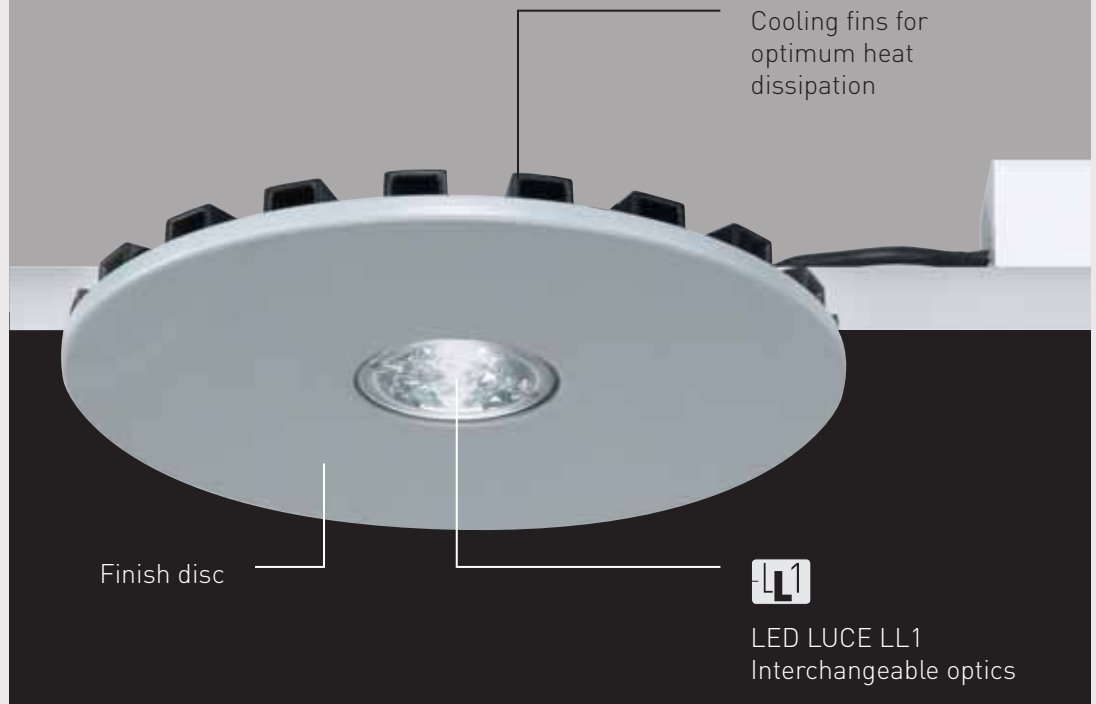
**Installation**

By inserting the cylindrical protrusion in the panel cut-out and screwing it in place.

**Standard finishes**

- 10 white
- 21 black
- 28 metallised grey

**TTILE OUT**  
(front installation)



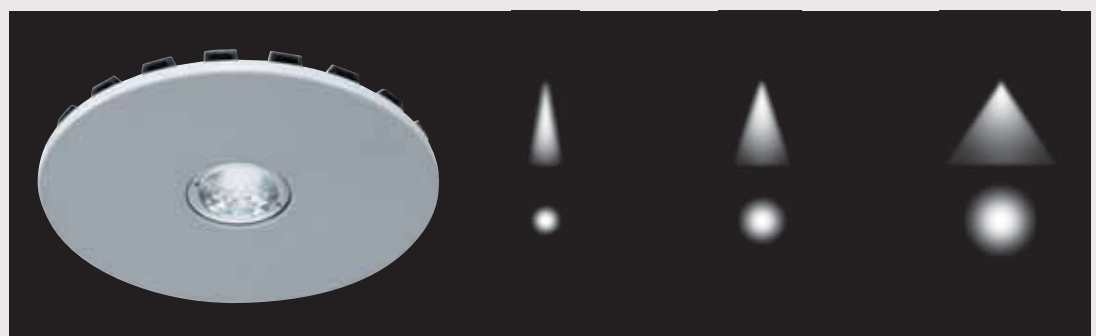
Possible installations:

Semi-recessed

Flush recessed on panel, minimum 35 mm thick, with grooves to house the luminaire; the driver will need to be housed in the plenum space above or remotely (accessory, extension lead code 0.35100.00).



LED LUCE is the new Reggiani lighting system with high-power LED technology (16 watts, 850 lm, CRI 90, 3000 K). LED LUCE has an excellent white colour, 50,000-hour lifetime, low consumption, immediate switch-on even at very low temperatures, and is environmentally friendly and maintenance-free, making it an excellent alternative to traditional light sources.



Fixed recessed luminaire

**Fixed recessed luminaire (for furniture, shelves, false ceilings)**

**Body:** die-cast aluminium; epoxy powder coated steel finish disc.

**Optics:** 50 mm Ø IOS (Interchangeable Optical System) reflector (**LL1**) included.

**Installation:** by inserting the cylindrical protrusion in the panel cut-out and screwing it in place.

**Control gear technologies:** constant current driver provided with multi-core cable complete with a quick-fit plug to connect to the socket on the luminaire.

Luminous flux adjusted with standard dimmer. Example: Triac leading edge phase cut dimmer for incandescent lamps or electronic trailing edge phase cut dimmer for low voltage lamps.

**Glow wire:** = >850° - in compliance with standard IEC EN 60598-1:2008 Annex ZC (13.3).

**Standard finishes:** **10** white **21** black **28** metallised grey

www.reggiani.net/code



**Plug and Play:** fixed recessed luminaire with LED LUCE LL1 + driver

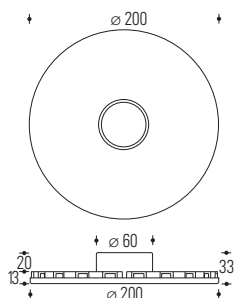
**Light source:** LED LUCE (16W, 850lm, 3000K, CRI 90)

**Total power consumption:** LED LUCE + driver = 18W

**Accessories:** • 0.35000.00 / 0.35001.00 / 0.35002.00 (IOS) Interchangeable optical system • 0.35070.00 Emergency pack • 0.35100.00 Extension lead



**LL1 - Three beam widths:** narrow, medium and wide. 50 mm Ø IOS reflector made from metallised polycarbonate (with light collimator for narrow and medium beams). Clear polycarbonate safety shield.



driver  
130x60x35h mm



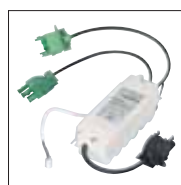
Kit	Control gear	Watt	( $\eta$ ) Efficacy	$\angle$
0.32821.00	driver	<b>1x16</b>	0.78	2x11°
0.32822.00	driver	<b>1x16</b>	0.77	2x18°
0.32823.00	driver	<b>1x16</b>	0.80	2x25°

ACCESSORIES

Interchangeable optical system to be purchased in order to change the width of the light beam.

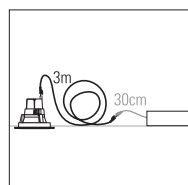


	$\angle$	Shield finish
0.35000.00	2x11°	00 Clear
0.35001.00	2x18°	00 Clear
0.35002.00	2x25°	00 Clear



Emergency pack for LED LUCE luminaires including Ni/Cd battery with 1h back-up

	Finish
0.35070.00	00



Extension lead for LED LUCE luminaires. Three-metre, two-core cable complete with quick-fit plug and socket

	Finish
0.35100.00	00