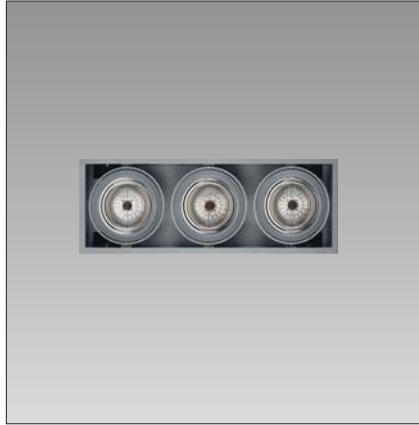


Mosaico

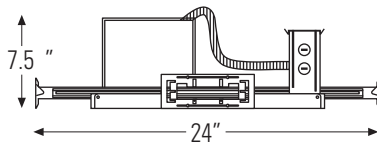
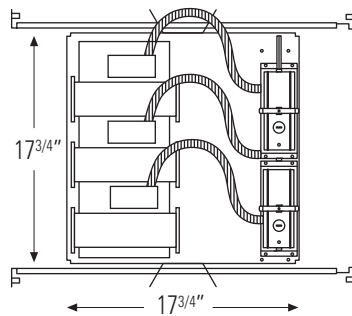
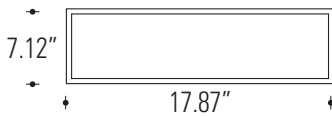
Adjustable multiple luminaire

REGGIANI LIGHTING USA, INC.
 372 Starke Road - Carlstadt, NJ 07072 USA - tel. (+1) 201 372 1717 - fax (+1) 201 372 1616
 reggianilighting@reggiani.net - www.reggiani.net



6.12x17" ceiling cutout

Height Required 8"



Recessed Triple Lamp Adjustable LED Mosaico 73002 Series

16W LED light source



Luminaire Includes: LED element and housing with electronic driver and choice of IOS® Reflector.

Installation: For New construction, non insulated ceilings (requires 3" clearance from any insulation).

Mounting: Housings include hanger bars expandable to 24" with nailing spike.

Materials: Gimbal ring, die cast aluminum with powder coat finish, housing 20 ga. Steel painted black.

Gimbal: dual setting allows light source to reside inside the optical compartment or below the ceiling plane.

Adjustability: Horizontal 358° vertical 56° vertical.

Driver: Integral electronic, dimmable with standard or ELV dimmers.

Light source: LED LUCE series 16W 800lm 3000K CRI 90

Finishes: 10 = White, 28 = Metallic Grey.

Reflector options: LL2 3" series with (6) choices of IOS reflectors: from Narrow spot 12° thru Wide Flood 54°.

Option: May be used in conjunction with metal halide light sources, consult factory.

Listing: ETL listed, Union assembled.

Accessories: 35049 / 35050 / 35051 / 35052 / 35053 / 35054
 (IOS) Interchangeable Optical System

Driver data / per LED

Input

AC input	Line current	Power factor
120V 50/60Hz	< 0.3A	> 90%

Output

Constant current	Max Power	Max Volt
1400mA	16.1W	16V

Luminaire	Voltage	Wattage	IOS®	Finish
73002	.AV 120V	16	NS narrow spot 12° NR narrow 18° MD medium 24° WD wide 32° WF wide flood 54° MR mira	10 white 28 metallic grey
<input type="text" value="73002"/>	<input type="text"/>	<input type="text"/>	<input type="text"/>	<input type="text"/>
Luminaire	Volts	Watts	IOS®	Finish

Project Name: _____

Contact: _____ **Date:** _____





Recessed Triple Lamp Adjustable LED Mosaico **73002** Series

16W LED light source



Accessories

INTERCHANGEABLE OPTICAL SYSTEM.

To be purchased in order to change the width of the light beam.

Six light beams: narrow spot, narrow, medium, wide, wide flood and Wall Washer Mira.
 3" Ø IOS reflector made from metallized polycarbonate (with light collimator for symmetric beams).
 Polycarbonate cover glass: clear, frosted and frosted/prismatic for the Wall Washer Mira version.



					○ Lens Finish
35050	NS	narrow spot	12°	00	Clear
35049	NR	narrow	18°	00	Frosted
35051	MD	medium	24°	00	Frosted
35052	WD	wide	32°	00	Frosted
35053	WF	wide flood	54°	00	Frosted
35054	MR	mira	—	00	Frosted prismatic

Accessory

Photometric Data

NS		NR		MD		WD		WF		MR	
16W	12° (η) 0.89	16W	18° (η) 0.85	16W	24° (η) 0.85	16W	32° (η) 0.80	16W	54° (η) 0.79	35054	16W (η) 0.66
	FC Ø		FC Ø		FC Ø		FC Ø		FC Ø		FC 0°-180° 90°-270°
4 ft	491 0.84	4 ft	256 1.28	4 ft	160 1.68	4 ft	106 2.32	4 ft	46 4.04	4 ft	57 3.68 1.76
6 ft	219 1.26	6 ft	114 1.92	6 ft	70 2.52	6 ft	47 3.48	6 ft	20 6.06	6 ft	25 5.52 2.64
8 ft	123 1.68	8 ft	64 2.56	8 ft	40 3.36	8 ft	27 4.64	8 ft	11 8.08	8 ft	14 7.36 3.52
10 ft	79 2.10	10 ft	41 3.20	10 ft	26 4.20	10 ft	17 5.80	10 ft	7 10.10	10 ft	9 9.20 4.40
12 ft	55 2.52	12 ft	28 3.84	12 ft	18 5.04	12 ft	12 6.96	12 ft	5 12.12	12 ft	6 11.04 5.28
14 ft	40 2.94	14 ft	21 4.48	14 ft	13 5.88	14 ft	9 8.12	14 ft	4 14.14	14 ft	5 12.88 6.16

Project Name: _____

Contact: _____ **Date:** _____